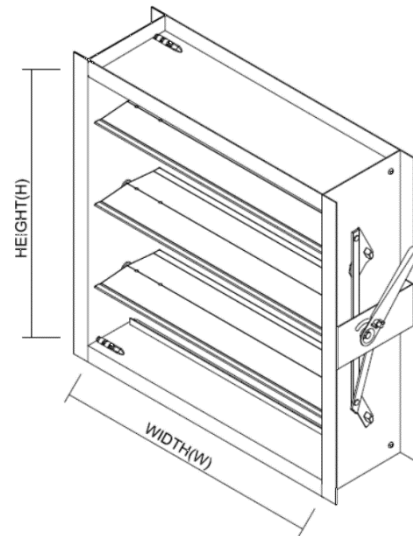


# Product Information

## Volume Control Damper - Model CD1616-AF

### Application

Model CD1616-AF is a opposed blade volume control damper with Airfoil style Blades. It regulates the flow of air inside a duct or and air handler or other air handling equipments. It may be used to cut off the air to an unused room or to regulate the air in different parts of the building depending upon temperature, climate control, occupancy etc. Its operation can be manual or automatic. Manual dampers are turned by a handle on the outside of a duct. Automatic dampers are used to regulate airflow constantly and are operated by actuators which in turn are controlled by a thermostat or building management system.



Constructional Details	
Frame Material	Galvanized Steel
Frame Material Thickness	16 Ga
Frame Type	C- Channel – 165mm deep with 30mm Flanges
Blade Material	Galvanized Steel
Blade Material Thickness	2 x 22 Ga
Blade Type	Airfoil Design
Linkage	In Frame
Axle Bearing	Lexan Bearings, pressed into Frame
Axle Material	Plated Steel

Dimensional Limitations	
Single Section	Multiple Section
1200mm H x 1200mm W (Maximum)	2400mm H x 2400mm W (Maximum)
150mm H x 200mm W (Minimum)	

### Features

Model CD1616-AF is a multiblade sturdy steel construction damper made with a 16 Ga Frame of 165mm depth with 30mm flanges suitable for duct connection. It features 22 Ga Double skin blades which are shaped in an aerodynamic Airfoil design . The Blades are arranged in opposed manner in order to provide the minimum turbulence in partially open conditions. The Damper can be operated with a Handle (standard) or using a Non Spring Return Actuator.

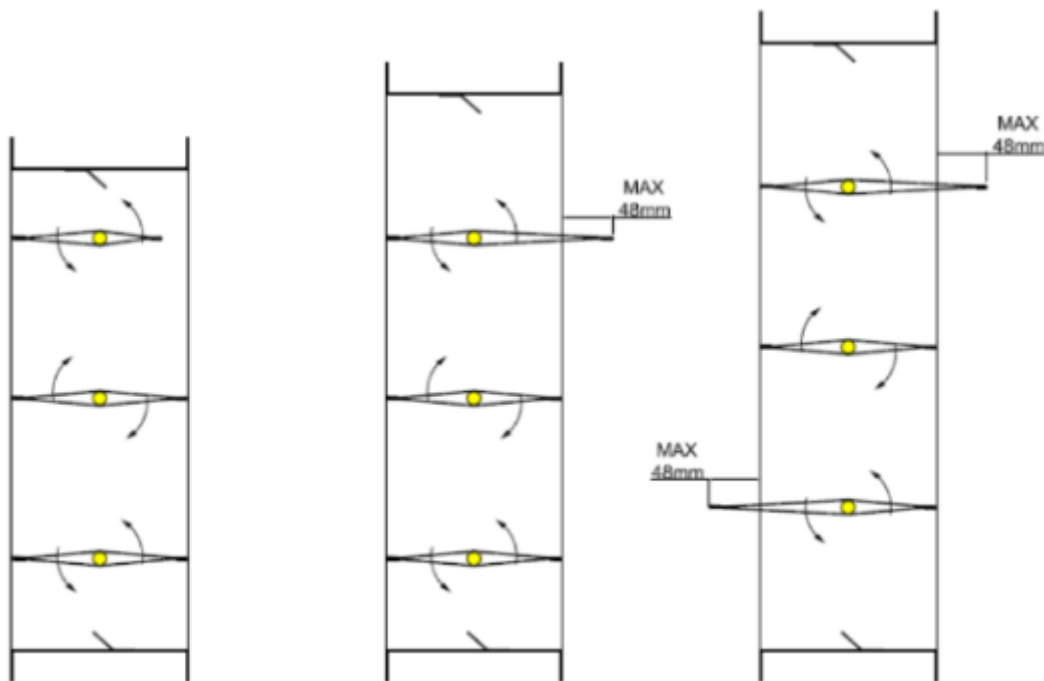
## Suggested Specifications

Control Dampers meeting or exceeding the following specification shall be furnished and installed at locations shown in the plans or described in the schedules. Damper frame shall be galvanized steel of 16 Ga thickness, formed into a C channel in 4-piece construction with flanges suitable for duct connection. Damper Blades shall be double skin steel of 22 Ga thickness each and shaped in an Airfoil design. The blades shall be arranged for opposed motion to provide least turbulence when in partially open condition. Each Blade shall have axles supported on both sides with corrosion resistant bearings turning in an extruded hole in the frame. All Blades shall be interconnected using linkage in the frame section, out of the airstream. When needed the Jamb seals shall be stainless steel flexible metal compression type.

When needed, the indication of Blade Position should be made available. The Electronic type switch package shall be linked directly to the Damper blade/axle to provide accurate full open and full closed positions. It should be able to interface with the HVAC control system and provide remote damper blade open/close position status. Switch Package shall be equivalent to Caryaire model OCS-M

Damper shall be in all respects equivalent to Caryaire Model CD1616-AF

The Contractor must provide an access door in the duct close to the damper to facilitate periodic inspection and maintenance on the damper.



# Product Information

**Note:** Caryaire dampers are designed for the lowest possible pressure drop. Our engineering team processes each order individually and provides blade width for the desired heights and ensures that the damper has the highest free area, in open condition, and hence the lowest pressure drop. In order to do this, our blade widths may differ and protrude outside the damper frame from one or more sides, upto a maximum of 48mm. (Examples shown below)

## Installation Detail : Control Damper Model CD1616-AF

