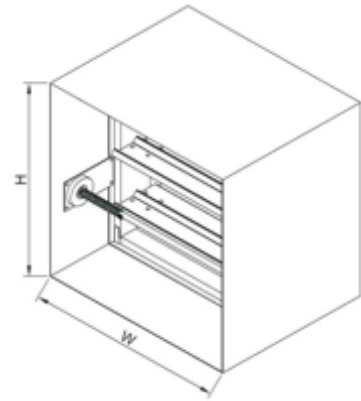


Product Information

Fusible Link Fire Damper With Sleeve Model : FLD-S-U

Application

Model FLD-S-U is a UL 555 classified Fusible Link Multi Blade fire damper with 3V style blades. It is designed for closure of the HVAC duct opening in Fire situations. It is UL555 classified for 90 min. Fire rating under Static Conditions. Model FLD-S-U can be installed vertically, with blades running horizontally with airflow in either direction.



Constructional Details	
Frame Material	Galvanized Steel
Frame Material Thickness	16Ga
Frame Type	Hat Channel – 123mm wide
Blade Material	Galvanized Steel
Blade Material Thickness	16Ga
Blade Type	Triple V Type
Linkage	Concealed in Frame
Axle Bearing	Bronze sleeve, pressed into Frame
Axle Material	Plated Steel
Temperature Release Device	UL Stamped Fusible Link 74 Deg C (Std)
Sleeves	Factory Fitted : Minimum 508mm long, Galvanized Steel, 20Ga thick

Dimensional Limitations	
Single Section 914mm H x 914mm W (Maximum) 150mm H x 300mm W (Minimum)	Larger sizes may be supplied as separate individual Dampers for field assembly.

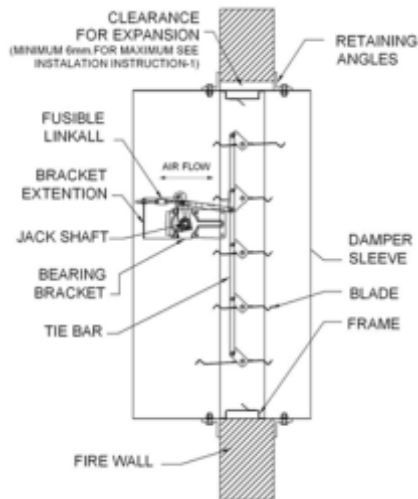
Features

Model FLD-S-U is a UL 555 classified Fusible Link Fire Damper & has a 90 min. Fire rating under Static conditions. It features a failsafe design which enables the damper to automatically assume the closed position when the duct temperature reaches the design temperature of the fusible link. The Frame of the Damper is constructed with reinforced corners. Low profile Slim line frames in head and sil are used in sizes less than 425 mm high. Blades are reinforced with 3 longitudinal structurally designed “Vee’s”

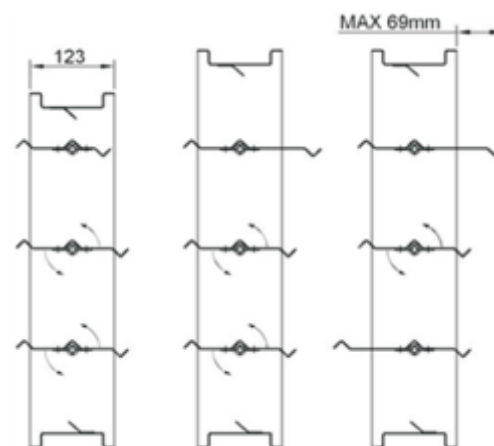
Product Information

Model FLD-S-U

Installation Detail



Note : Caryaire dampers are designed for the lowest possible pressure drop. Our engineering team processes each order individually and provides blade width for the desired heights and ensures that the damper has the highest free area, in open condition, and hence the lowest pressure drop. In order to do this, our blade widths may differ and protrude outside the damper frame from one or more sides, up to a maximum of 69mm. (See Fig. -A)



Product Information



Suggested Specification

Fire Dampers matching the following specifications shall be furnished and installed at locations shown in the drawings or described in the BOQ. Dampers shall meet 1.5 hours UL555 fire rating.

Fire damper frame shall be of 180 GSM galvanized steel of 16Ga thickness formed into a structural hat channel in 4-piece construction with integral overlapping gusset reinforcements (screws are not acceptable) in each corner to ensure perfect square shape. Top and Bottom frame members shall be low profile design to maximize the free area on small dampers and minimize pressure drop.

Fire damper shall have blade configuration to ensure maximum free area and minimum pressure drop. Damper Blades shall be of single skin 180 GSM galvanized steel of 16Ga thickness with 3V groove construction. The blades shall be arranged in parallel to provide positive shut off. Each Blade shall have axles supported on both sides with sintered bronze self-lubricating bearings turning in an extruded hole in the frame. All Blades shall be interconnected using linkage concealed within the depth of Hat Channels.

Each damper shall be operated through a UL stamped Fusible Link rated at 74C (165F). Closing of the Fire Damper shall be through a suitable rated spring capable to close the Blades in the event of Fusible link disintegration.

Each Damper shall be supplied with a factory mounted sleeve made from Minimum 20Ga thick 180 GSM galvanized steel of minimum 508mm length. Damper shall be Caryaire Model FLD-S-U. Contractor must provide an access door in the duct close to the damper to facilitate periodic inspection and maintenance on the damper.

The Fire Damper shall be in all respects same as Caryaire Model FLD-S-U.